

1

11305

LARS LAJ<sup>®</sup>

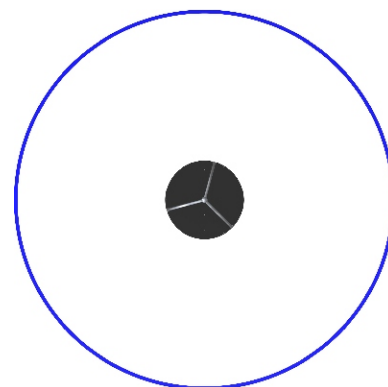
## STAND-ALONE

Product name: Bee  
Catalogue number: 11305  
Dimensions: 104x104 cm  
Safety zone: 504x504 cm  
Total height: 110 cm  
Critical Falling Height: 16 cm  
Requires falling surface: YES  
Age level: 3+ years  
Acc. To En 1176: YES  
Spareparts available: YES



110 cm

104 cm



104 cm

504 cm

504 cm

**PRODUCT DATA**

**Product name:** Bee  
**Catalogue No.:** 11305  
**Product type:** STAND-ALONE  
  
**Critical Falling Height:** 16 cm  
**Dimensions:** 104x104 cm  
**Safety Zone:** 504x504 cm  
**Age Level:** 3+ years

**COMPANY DATA**

**Name:** \_\_\_\_\_  
**Address:** \_\_\_\_\_  
**Zip code/city:** \_\_\_\_\_  
**Place:** \_\_\_\_\_  
**Phone:** \_\_\_\_\_  
**Fax:** \_\_\_\_\_  
**Email:** \_\_\_\_\_

**Product Photo/Picture****OWNERS DATA**

**Name:** \_\_\_\_\_  
**Contact:** \_\_\_\_\_  
**Address:** \_\_\_\_\_  
**Zip code/city:** \_\_\_\_\_  
**Place:** \_\_\_\_\_  
**Phone:** \_\_\_\_\_  
**Fax:** \_\_\_\_\_  
**Email:** \_\_\_\_\_

**AREA DATA**

**Placing:** \_\_\_\_\_  
**Address:** \_\_\_\_\_  
**Zip code/city:** \_\_\_\_\_  
**Place:** \_\_\_\_\_  
**Playground name:** \_\_\_\_\_  
**Product number:** \_\_\_\_\_

**ADMINISTRATOR DATA**

**Name:** \_\_\_\_\_  
**Contact:** \_\_\_\_\_  
**Address:** \_\_\_\_\_  
**Zip code/city:** \_\_\_\_\_  
**Phone:** \_\_\_\_\_  
**Fax:** \_\_\_\_\_  
**Email:** \_\_\_\_\_

**SURFACE**

**Material:** \_\_\_\_\_  
**Dimensions:** \_\_\_\_\_  
**Underground:** \_\_\_\_\_  
**Supplier:** \_\_\_\_\_

**Buying date:** \_\_\_\_\_  
**Installation:** \_\_\_\_\_  
**Guarantee:** \_\_\_\_\_

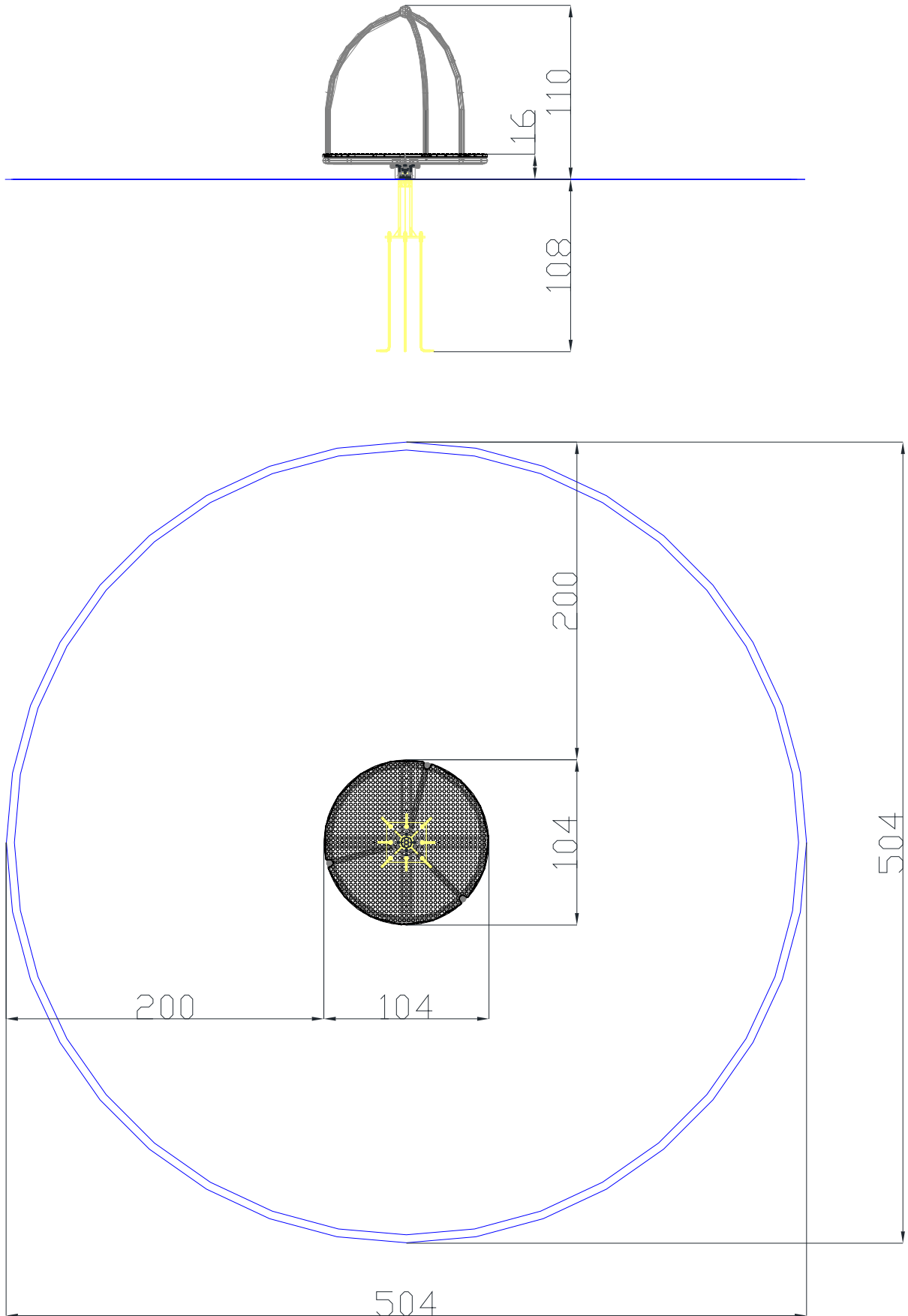
3

11305

Product main dimensions

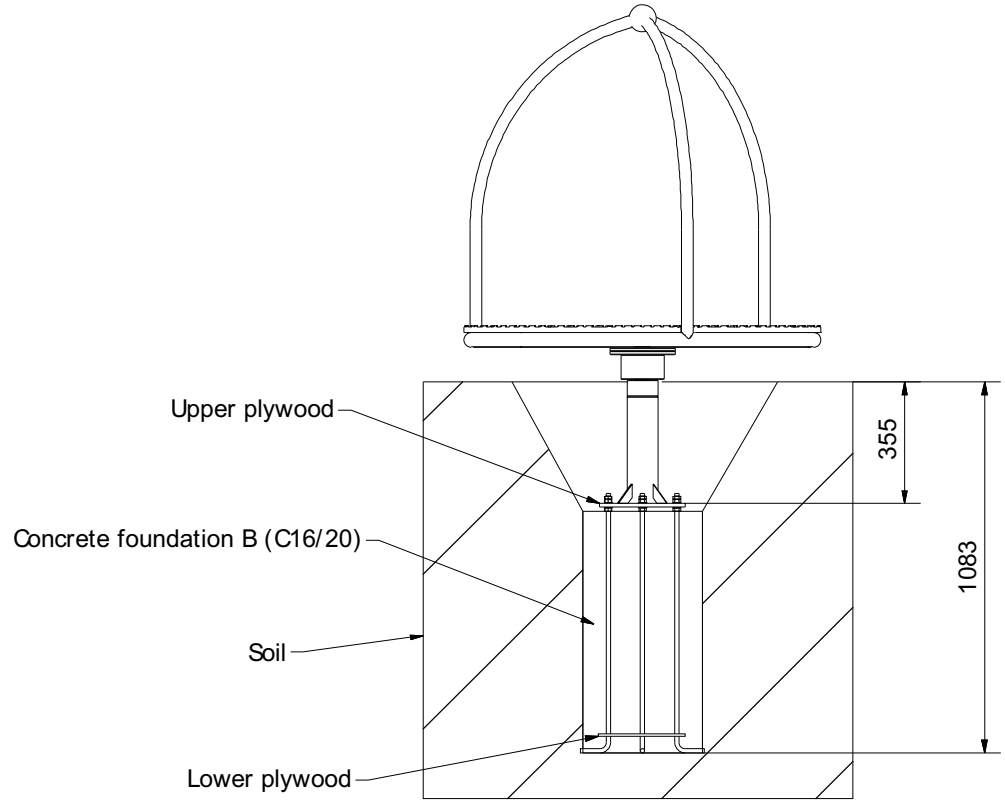
LARS LAJ<sup>®</sup>

STAND-ALONE

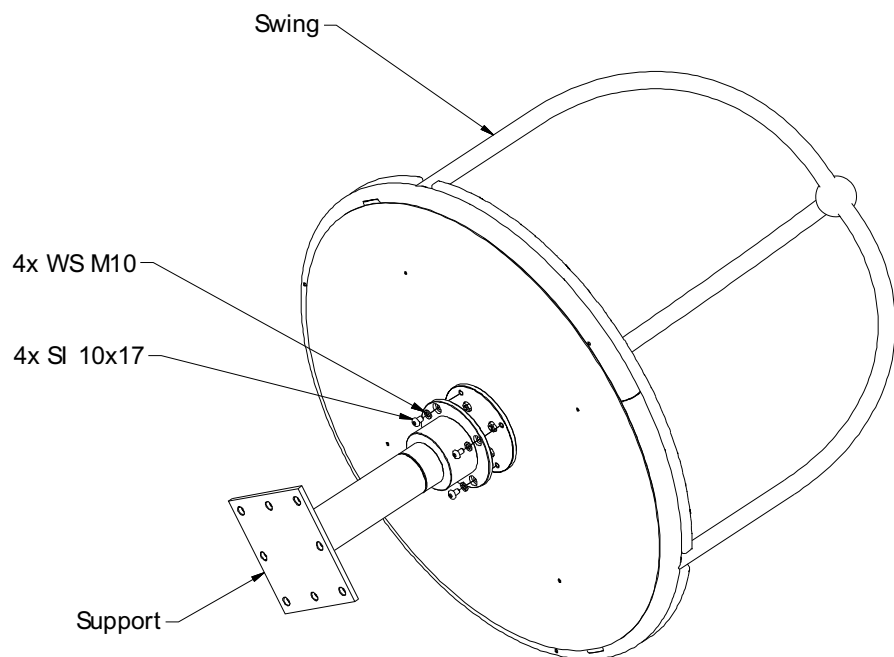


BEE MANUAL INSTALLATION

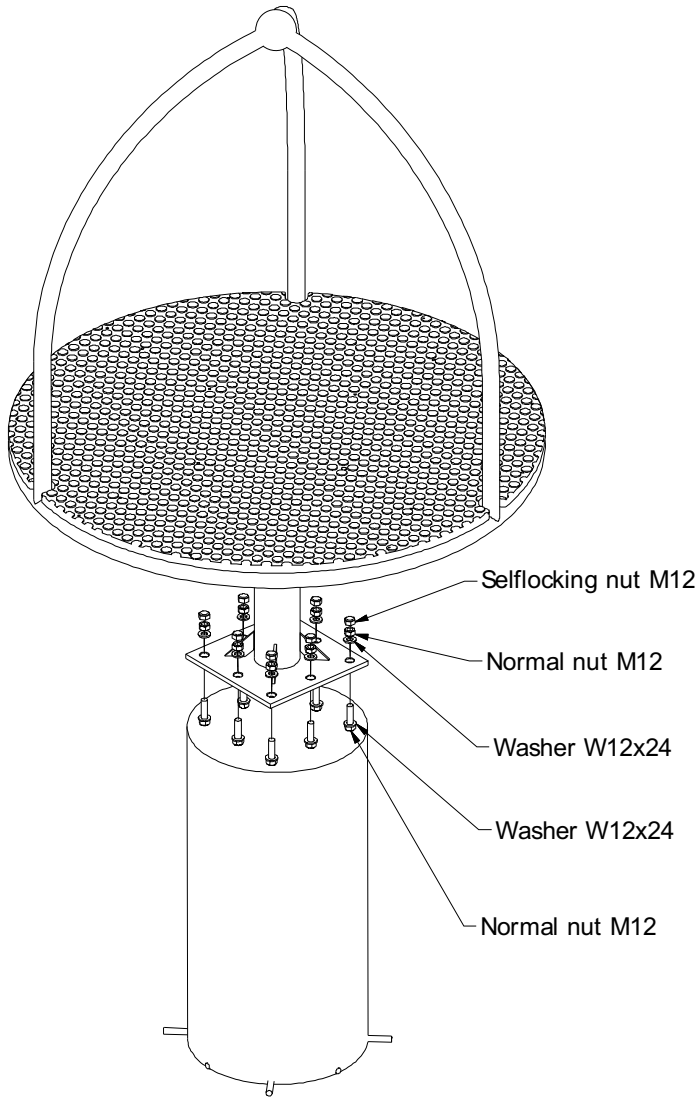
1. Remove soil around rod basket. Hole should have diameter approximate 350 mm and approximate height 1083 mm.
2. Place post into hole and pour the foundation.
3. Protect hole against unauthorized users and leave concrete for minimum 24 hours.
4. After 24 hours unscrew nuts and washers and remove upper plywood.



5. Screw support with swing.



6. Screw carousel to the foundation. Use nuts and washers from 4. step this instruction.



7. Complement soil

