

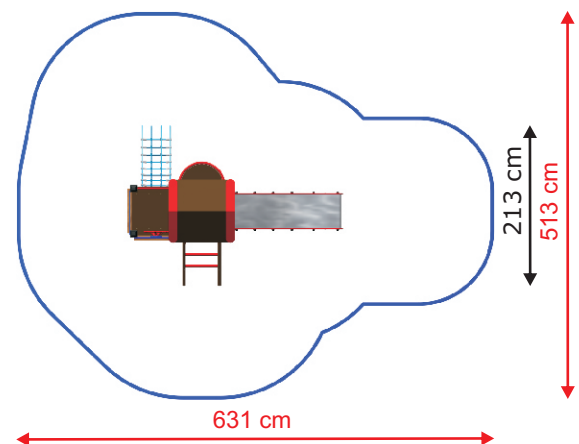
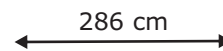
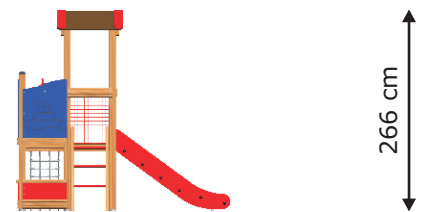
1

10850

LARS LAJ®

# DISCOVERY

Product name: Pixie  
Catalogue number: 10850  
Dimensions: 286x213 cm  
Total height: 266 cm  
Safety zone: 631x513 cm  
Platform height: 90 cm  
Critical Falling Height: 90 cm  
Requires falling surface: YES  
Spare parts available: YES  
Acc. to EN 1176: YES  
Age level: 3+ years



**PRODUCT DATA**

**Product name:**     Pixie      
**Catalogue No.:**     10850      
**Product type:**     DISCOVERY      
  
**Critical Falling Height:**     90         cm      
**Dimensions:**     286x213         cm      
**Safety Zone:**     631x513         cm      
**Age Level:**     3+         years    

**COMPANY DATA**

**Name:** \_\_\_\_\_  
**Address:** \_\_\_\_\_  
**Zip code/city:** \_\_\_\_\_  
**Place:** \_\_\_\_\_  
**Phone:** \_\_\_\_\_  
**Fax:** \_\_\_\_\_  
**Email:** \_\_\_\_\_

**Product Photo/Picture****OWNERS DATA**

**Name:** \_\_\_\_\_  
**Contact:** \_\_\_\_\_  
**Address:** \_\_\_\_\_  
**Zip code/city:** \_\_\_\_\_  
**Place:** \_\_\_\_\_  
**Phone:** \_\_\_\_\_  
**Fax:** \_\_\_\_\_  
**Email:** \_\_\_\_\_

**AREA DATA**

**Placing:** \_\_\_\_\_  
**Address:** \_\_\_\_\_  
**Zip code/city:** \_\_\_\_\_  
**Place:** \_\_\_\_\_  
**Playground name:** \_\_\_\_\_  
**Product number:** \_\_\_\_\_

**ADMINISTRATOR DATA**

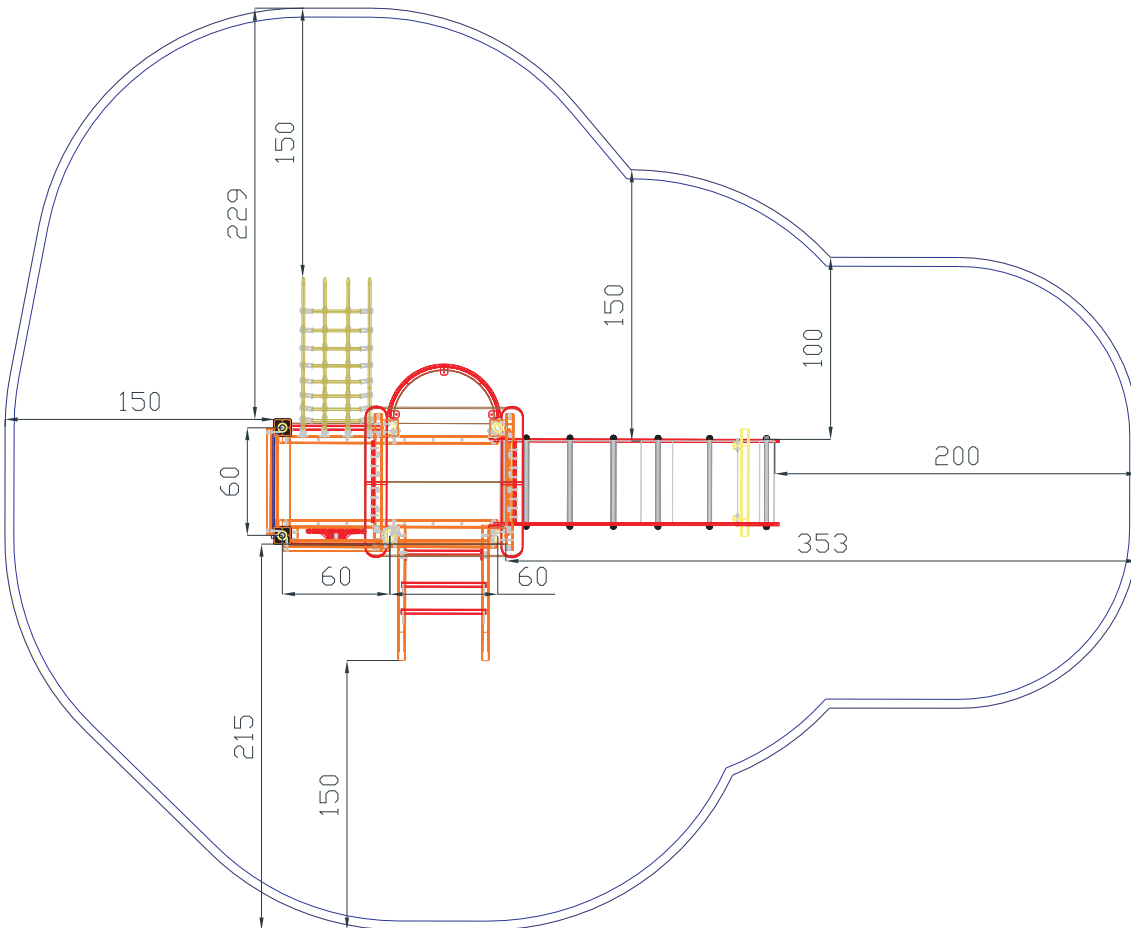
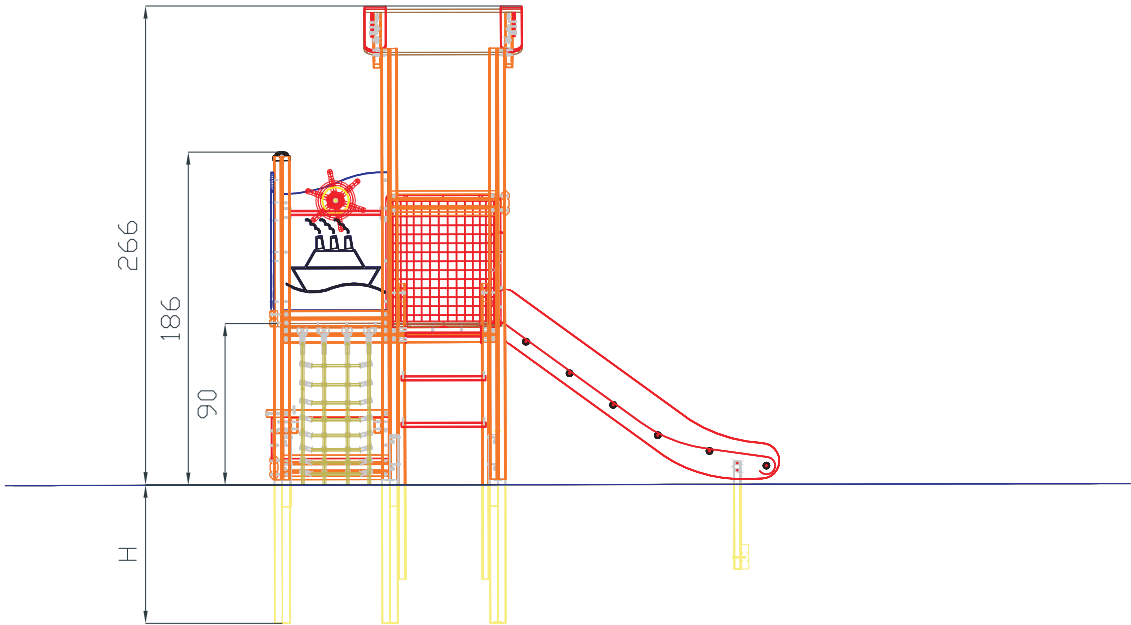
**Name:** \_\_\_\_\_  
**Contact:** \_\_\_\_\_  
**Address:** \_\_\_\_\_  
**Zip code/city:** \_\_\_\_\_  
**Phone:** \_\_\_\_\_  
**Fax:** \_\_\_\_\_  
**Email:** \_\_\_\_\_

**SURFACE**

**Material:** \_\_\_\_\_  
**Dimensions:** \_\_\_\_\_  
**Underground:** \_\_\_\_\_  
**Supplier:** \_\_\_\_\_

**Buying date:** \_\_\_\_\_  
**Installation:** \_\_\_\_\_  
**Guarantee:** \_\_\_\_\_

DISCOVERY



## DISCOVERY

## INSTALLATION STEP BY STEP:

[1] F120x60 h90cm + net + 4x P240  
+ 2x P180

[2] R60x60

[3] SL90

[4] BS60

[5] HI60 h90 + G60

[6] C60x38

[7] SU60

[8] W

[9] W

[10] 2x HAT

GROUND LEVEL PLATE

PRODUCT PLATE

DEPENDING ON OPTION  
(METAL/WOOD):

6x FOUNDATION

