

1

13154

LARS LAJ[®]

DREAMWORLD

Product name: Britta's Playhouse

Catalogue number: 13154

Dimensions: 270x260 cm

Total height: 262 cm

Minimum space: 576x554 cm

Platform height: 55 cm

Critical Falling Height: 55 cm

Requires falling surface: NO

Spare parts available: YES

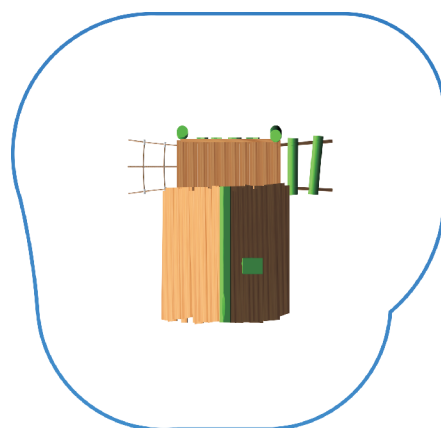
Acc. to EN 1176: YES

Age level: 1+ years



270 cm

262 cm



576 cm

260 cm

554 cm

PRODUCT DATA

Product name: Britta's Playhouse
Catalogue No.: 13154
Product type: DREAMWORLD

Critical Falling Height: 55 cm
Dimensions: 270x260 cm
Minimum space: 576x554 cm
Age Level: 1+ years

COMPANY DATA

Name: _____
Address: _____
Zip code/city: _____
Place: _____
Phone: _____
Fax: _____
Email: _____

Product Photo/Picture**OWNERS DATA**

Name: _____
Contact: _____
Address: _____
Zip code/city: _____
Place: _____
Phone: _____
Fax: _____
Email: _____

AREA DATA

Placing: _____
Address: _____
Zip code/city: _____
Place: _____
Playground name: _____
Product number: _____

ADMINISTRATOR DATA

Name: _____
Contact: _____
Address: _____
Zip code/city: _____
Phone: _____
Fax: _____
Email: _____

SURFACE

Material: _____
Dimensions: _____
Underground: _____
Supplier: _____

Buying date: _____
Installation: _____
Guarantee: _____

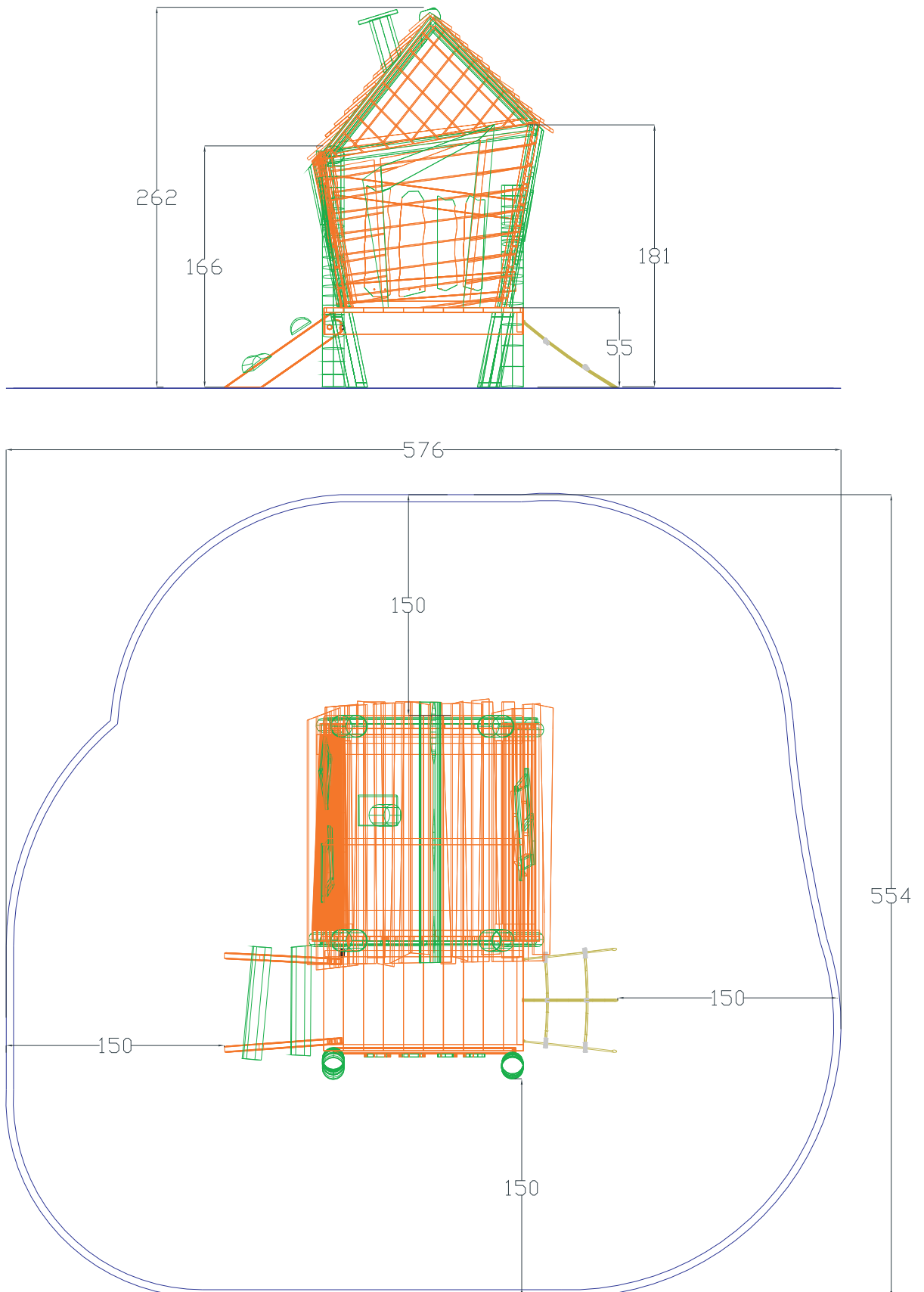
3

13154

Product main dimensions

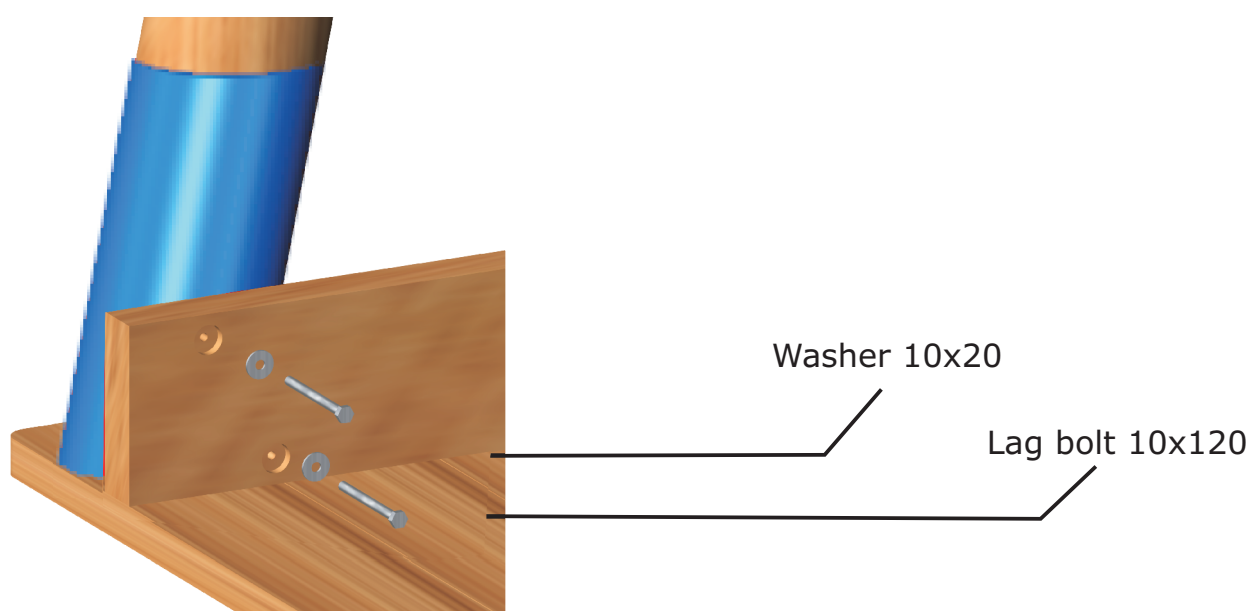
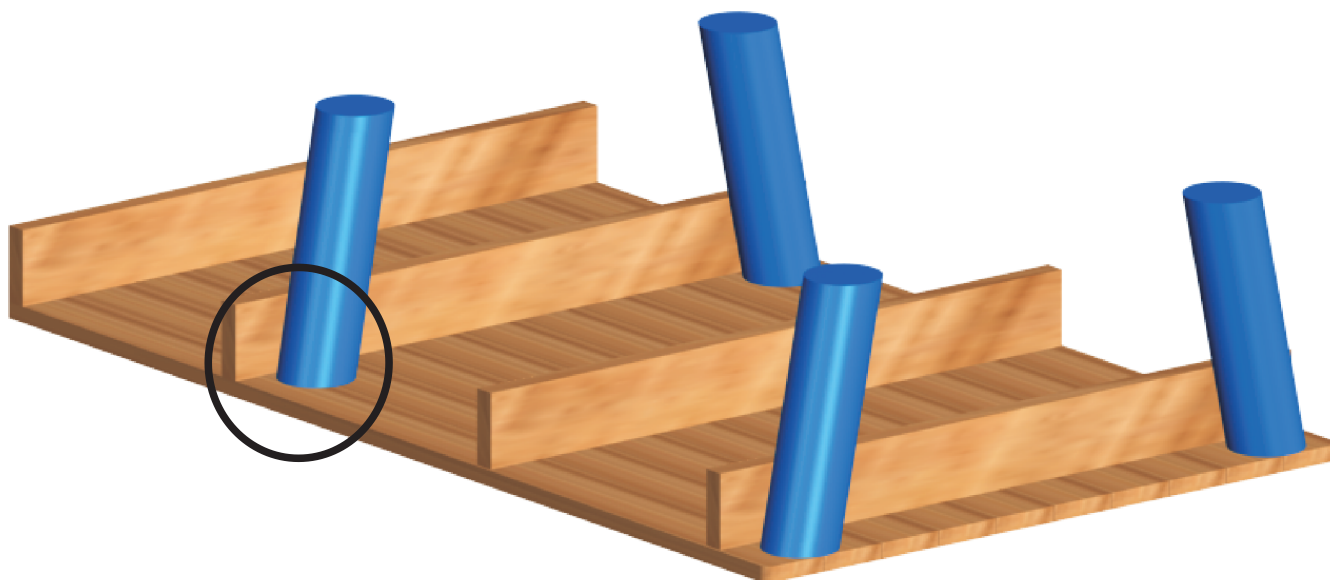
LARS LAJ[®]

DREAMWORLD

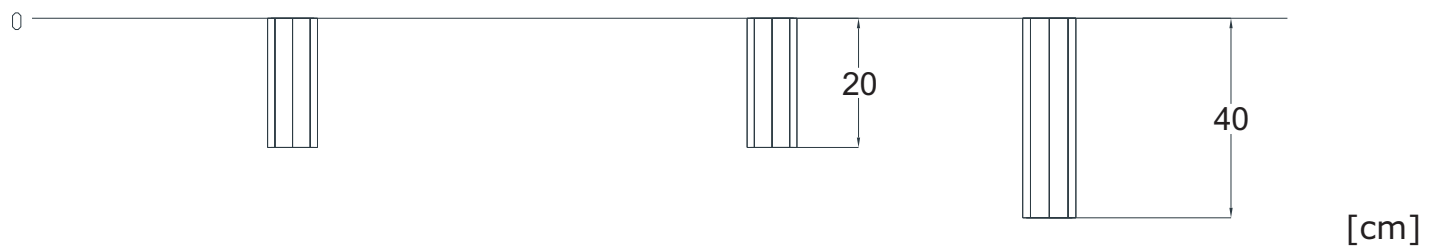
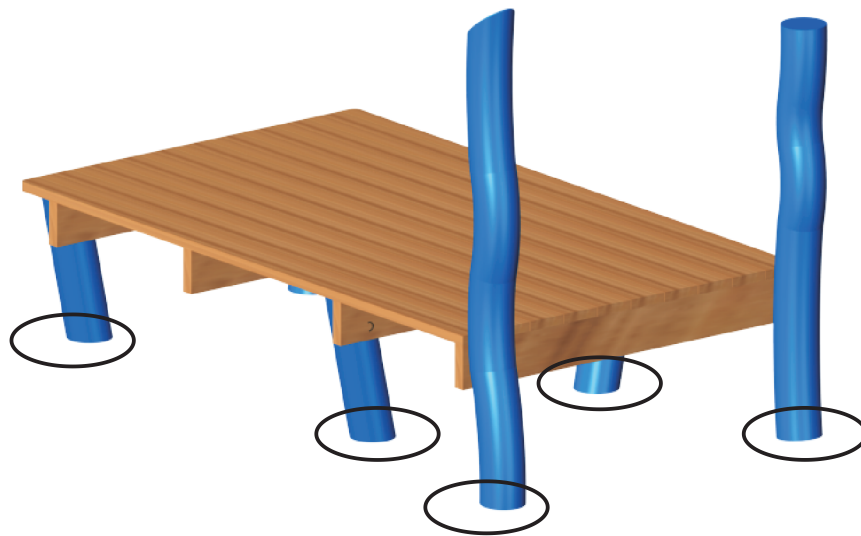


[cm]

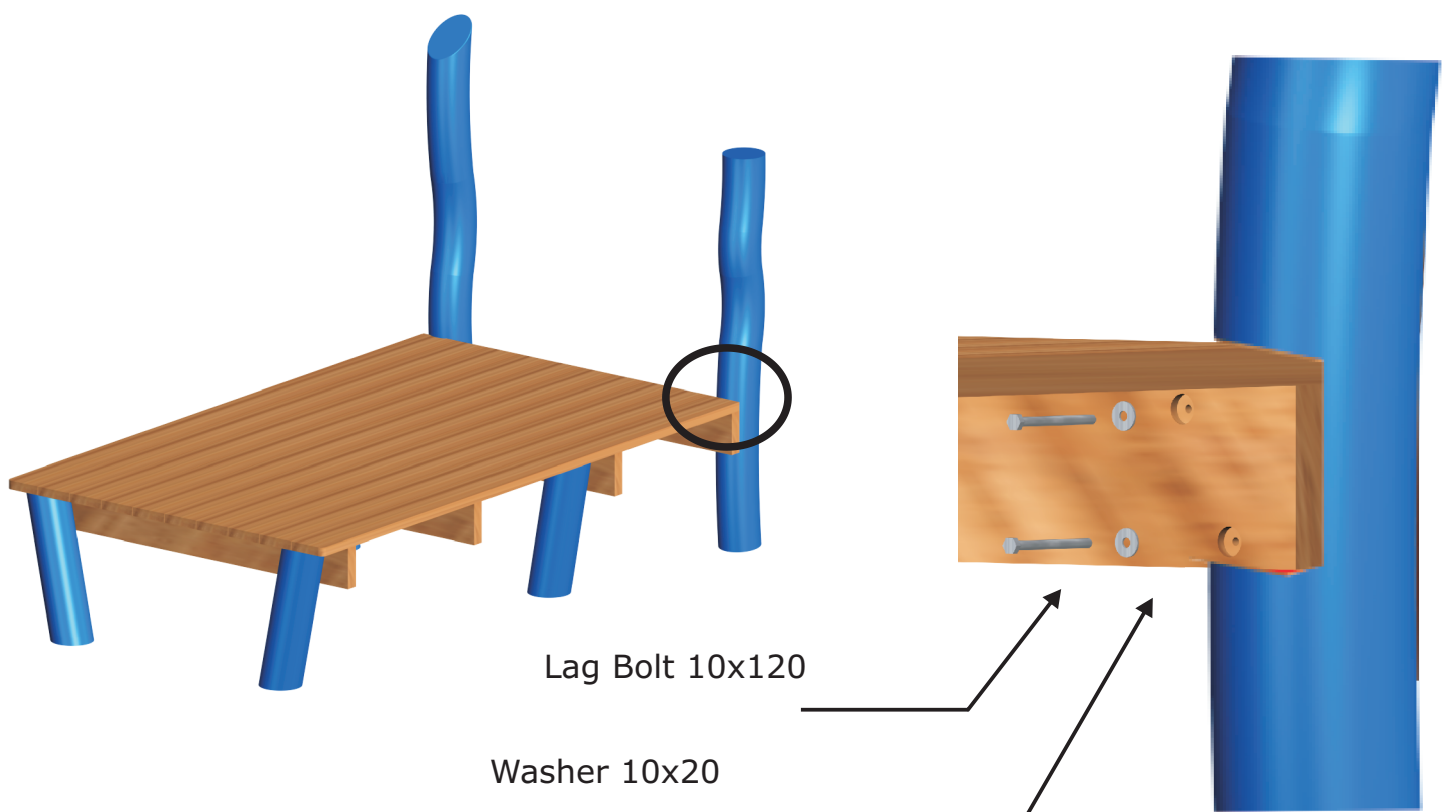
Step 1: Place the four 72 cm posts aligned with the holes in the platform and install.



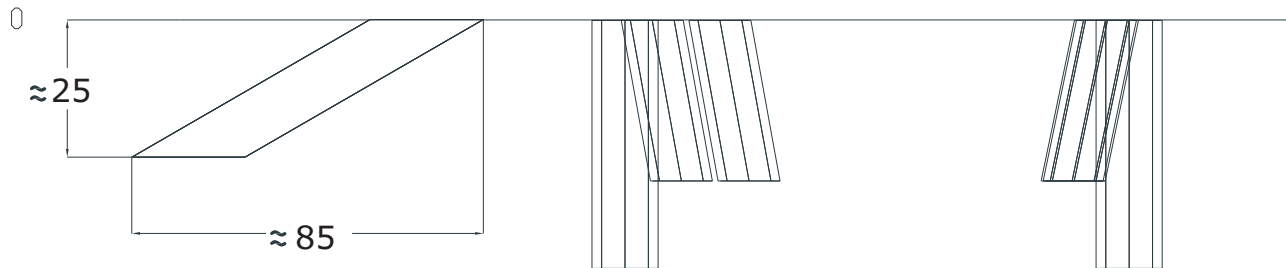
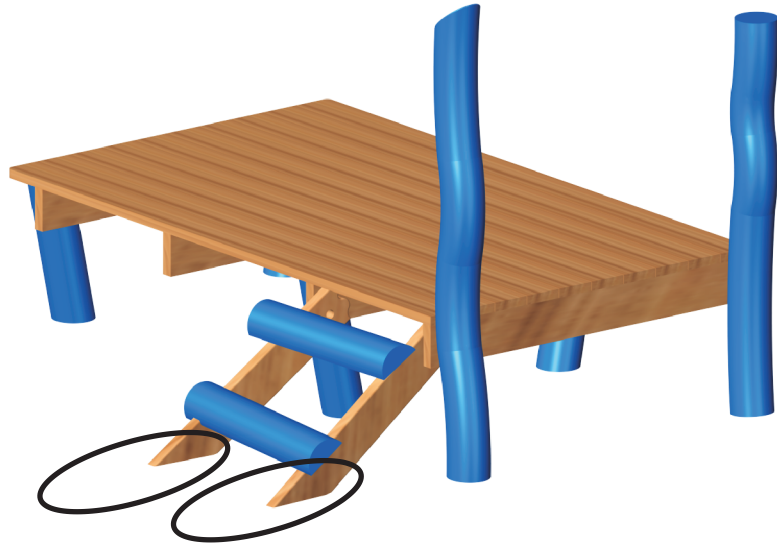
Step 2: Turn the platform place it in designated location, hold the remaining two posts to the platform, mark places for foundations, dig holes.



Step 3: Place the platform in the holes, install two other posts to platform.

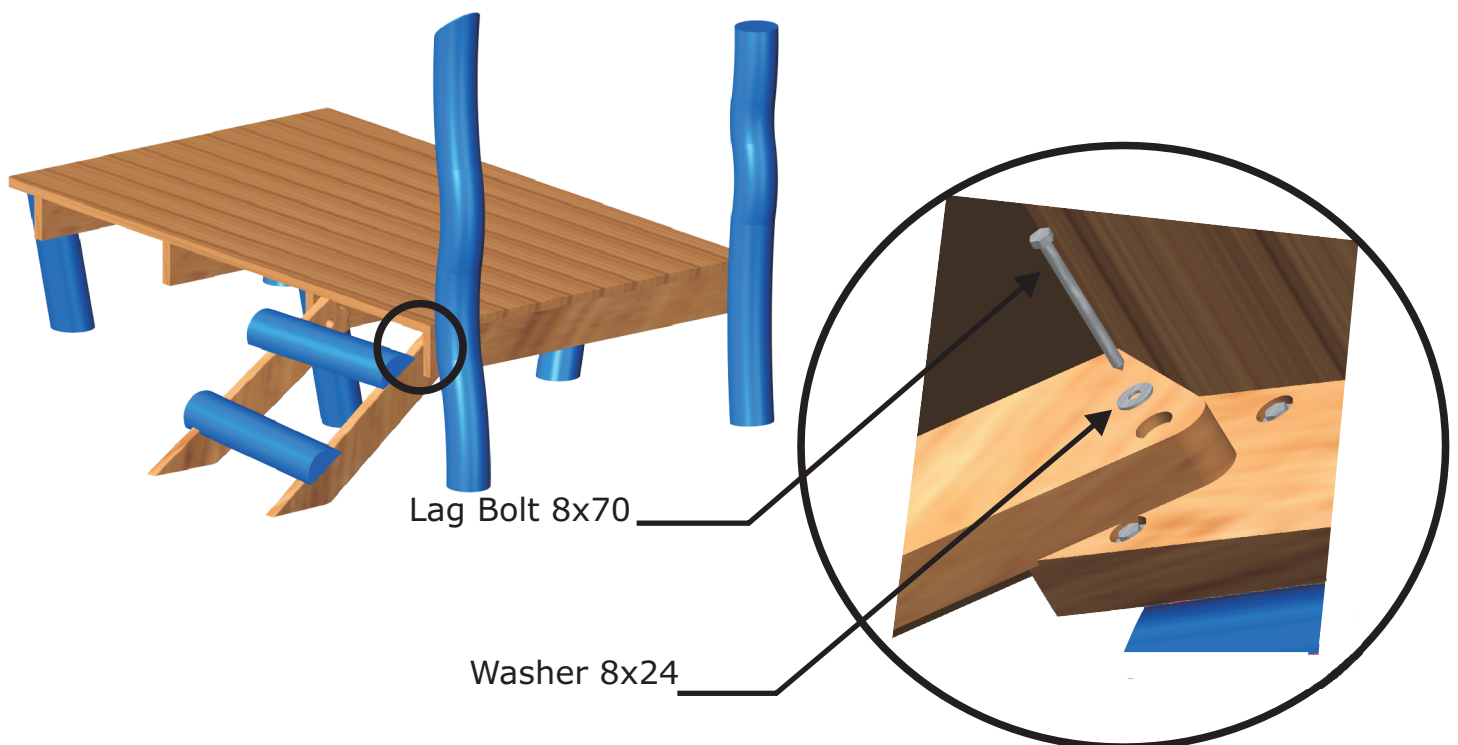


Step 4: Align the trap with the platform, mark the places for foundation, dig holes.

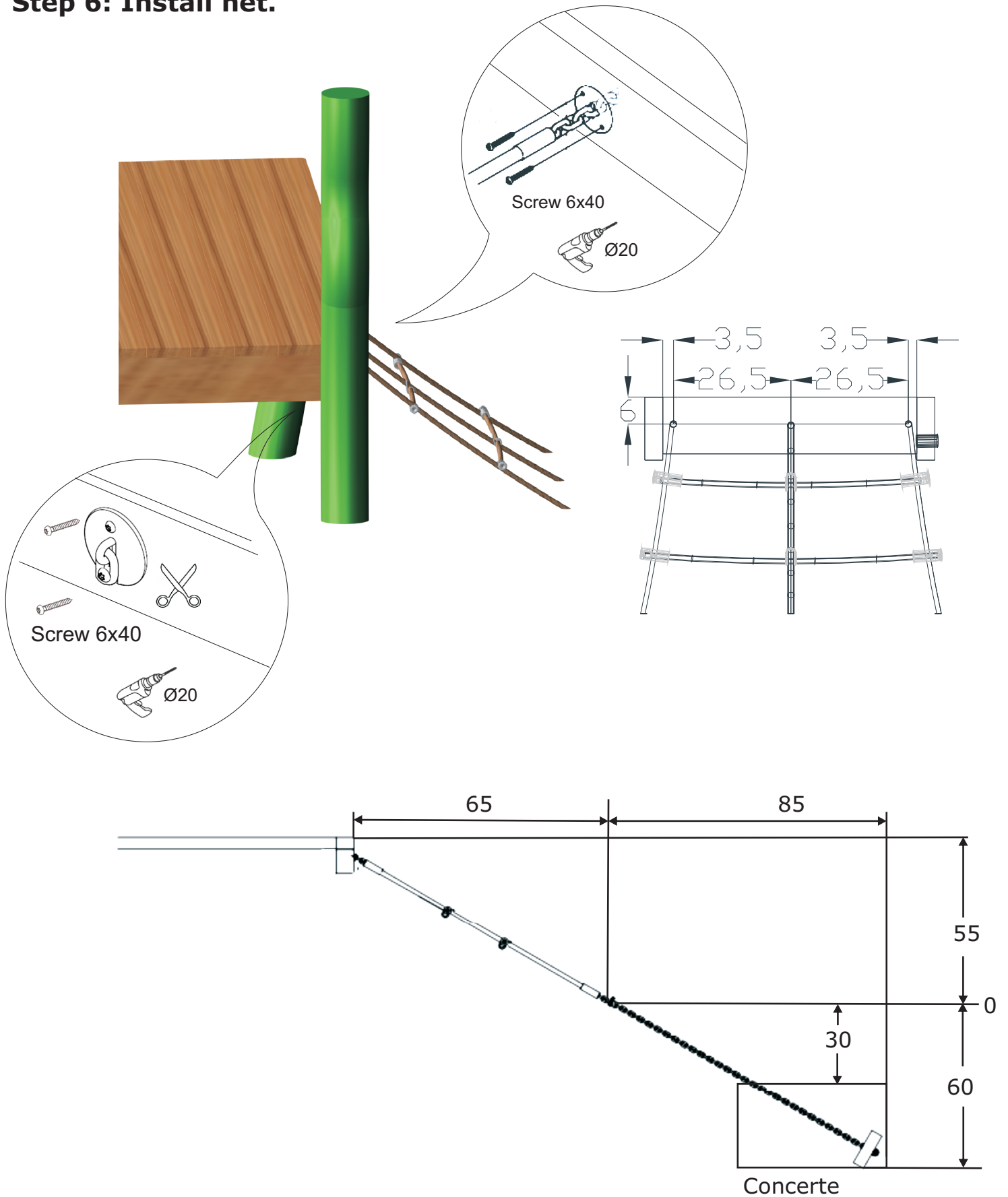


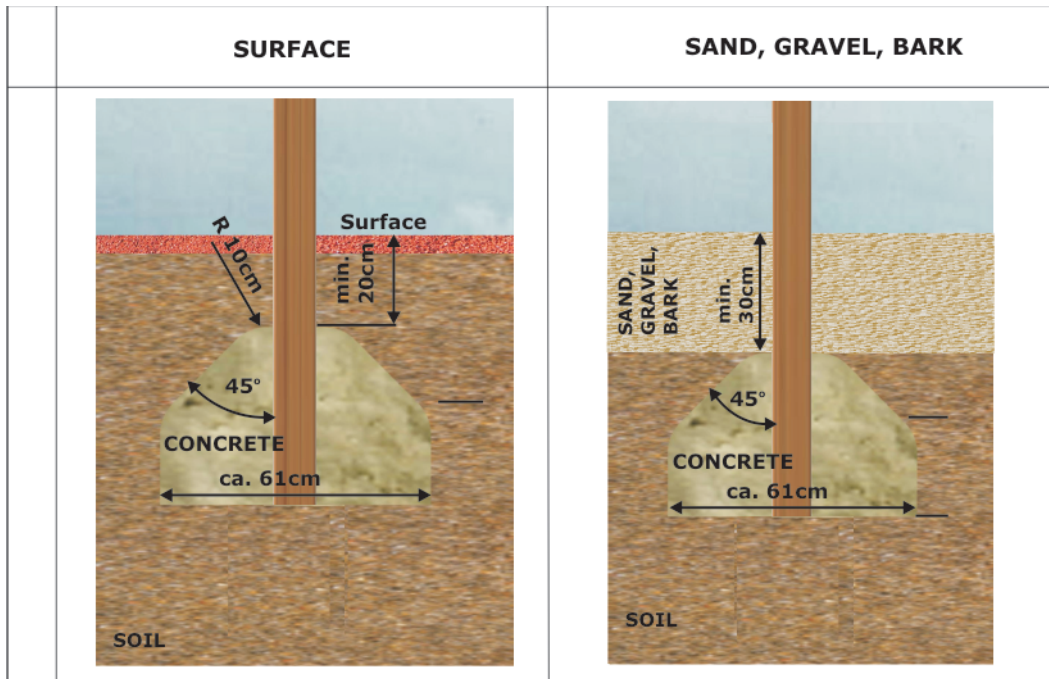
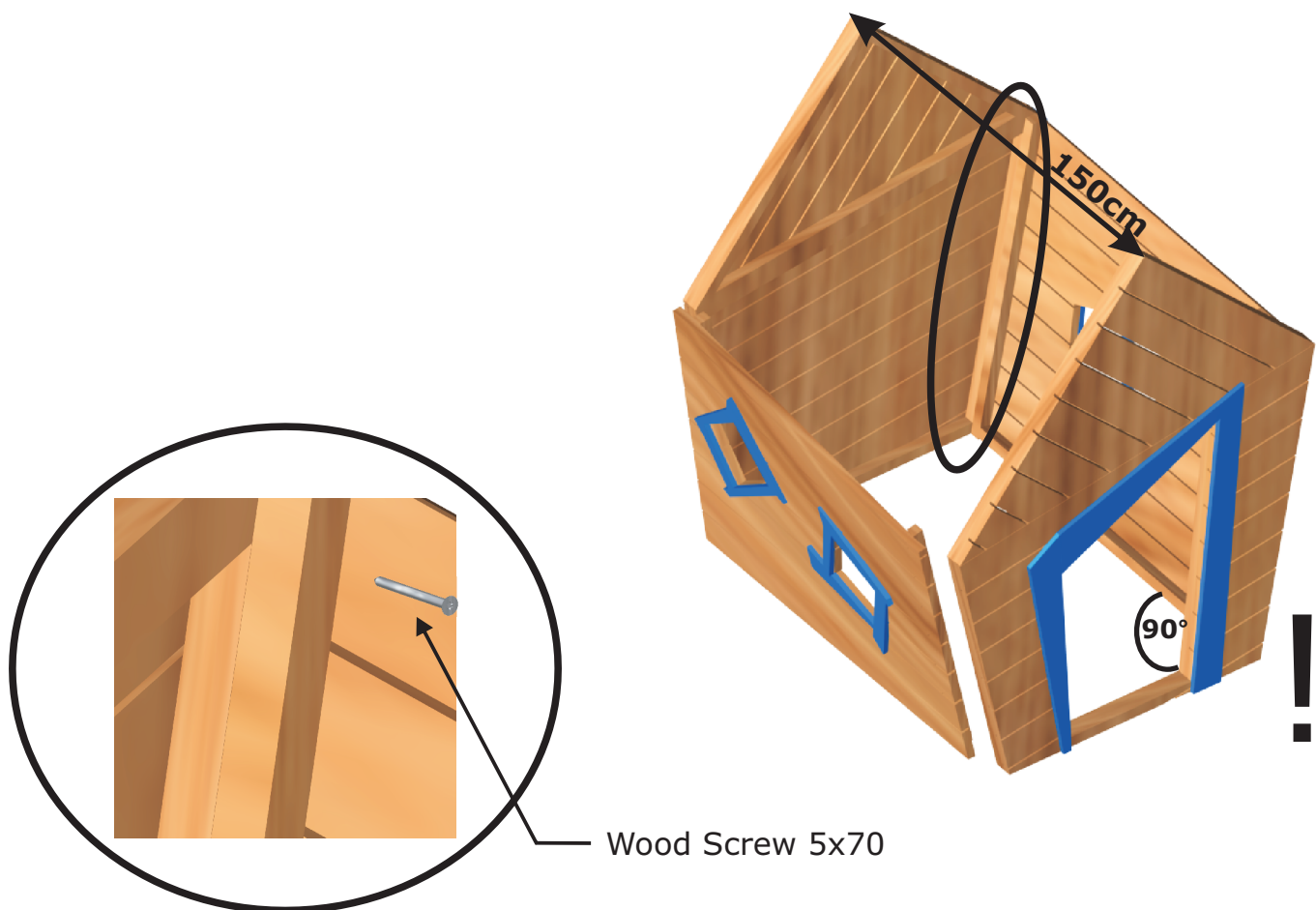
[cm]

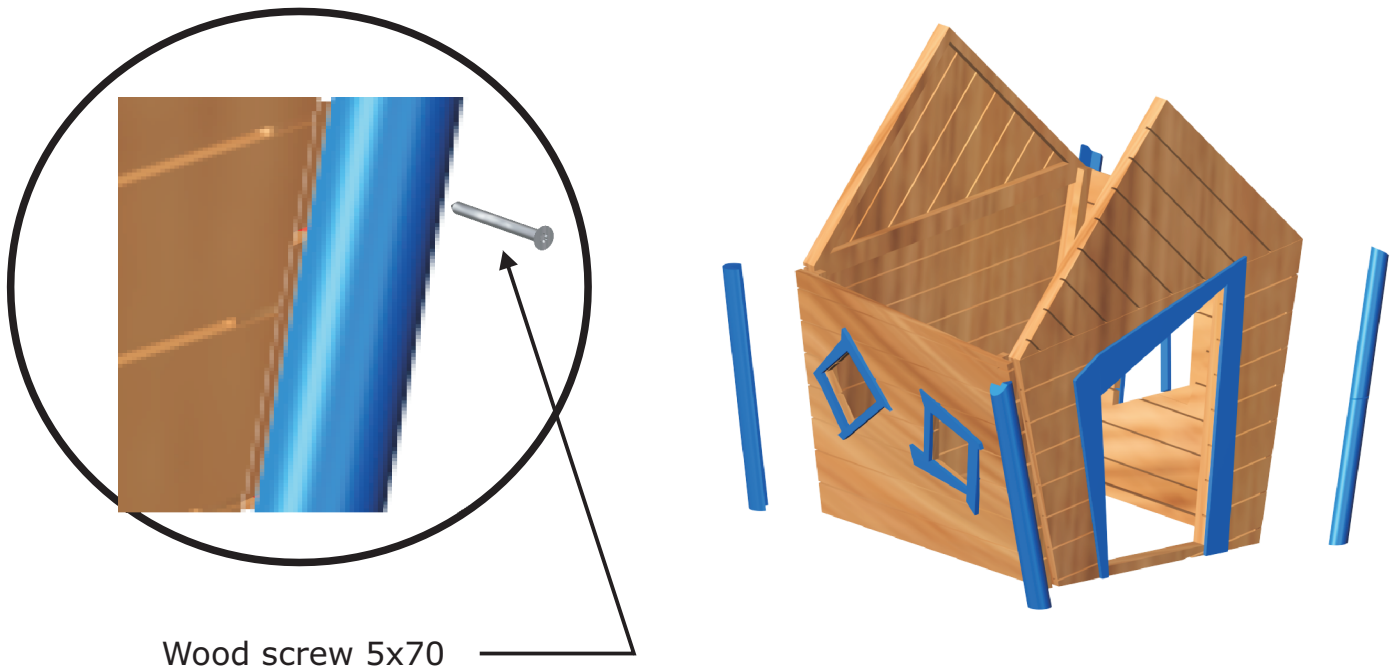
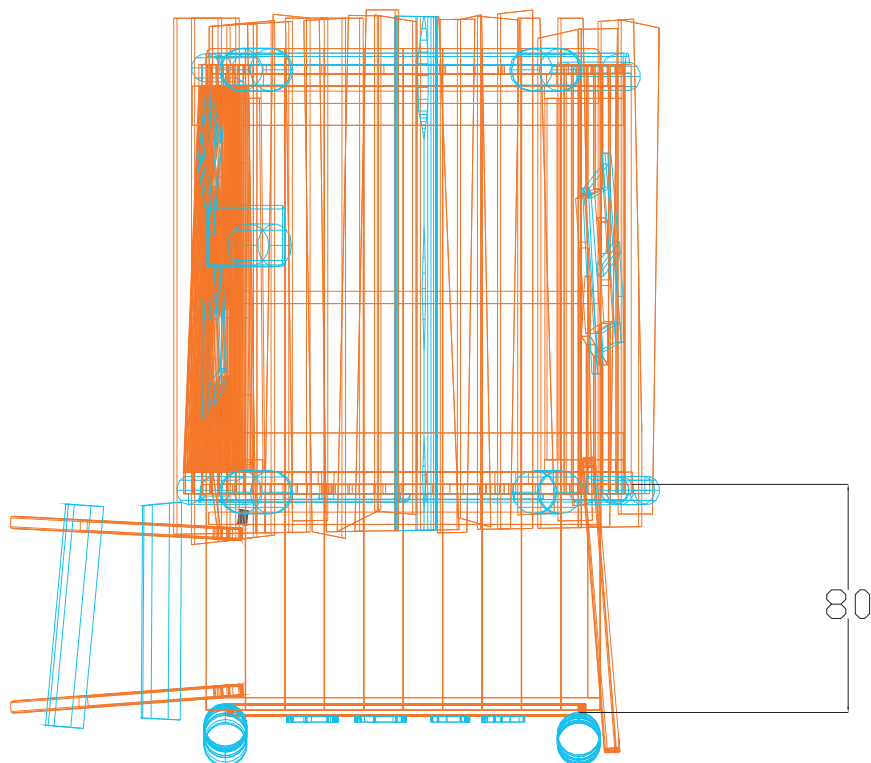
Step 5: Place the trap and install to the platform.



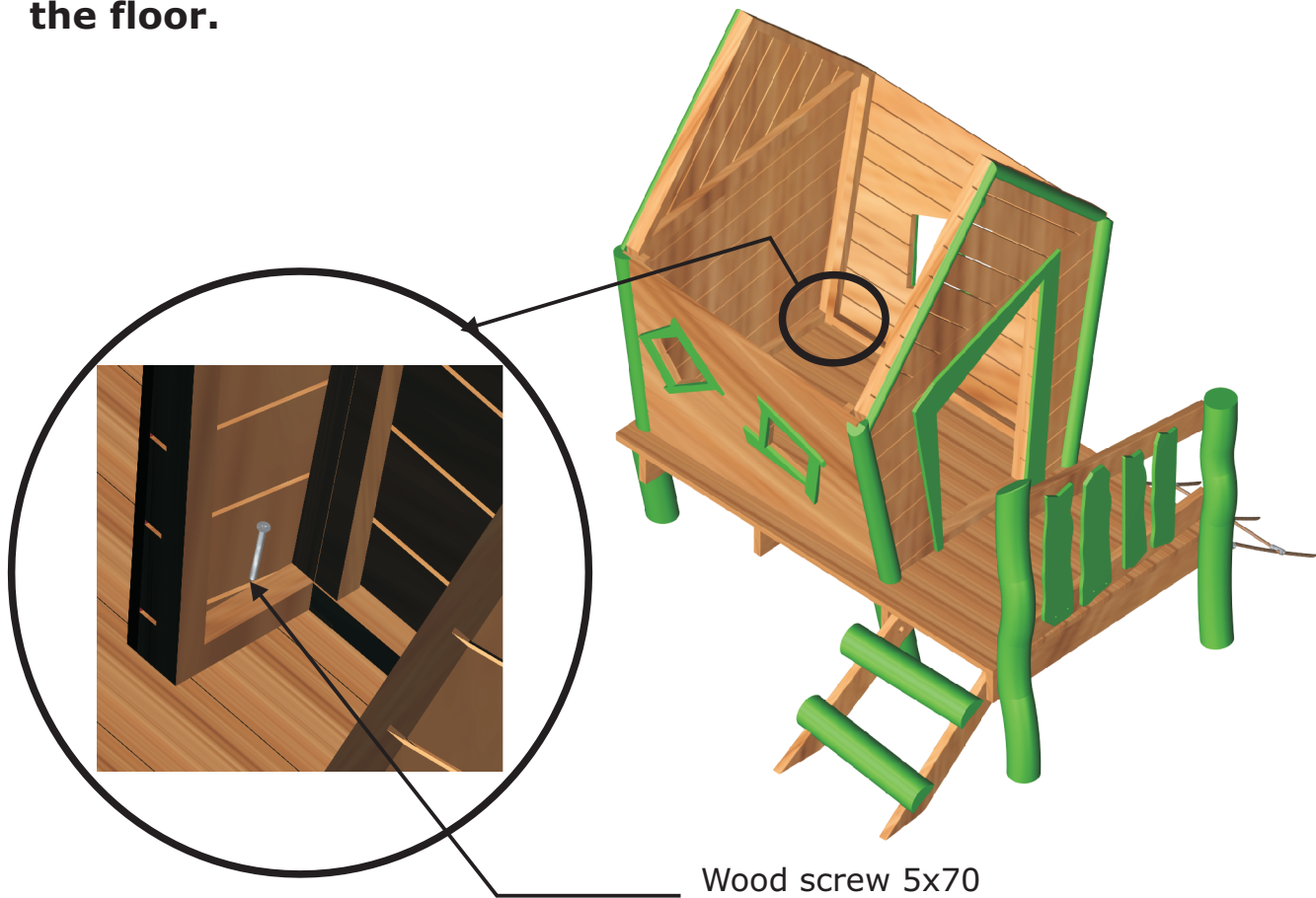
Step 6: Install net.



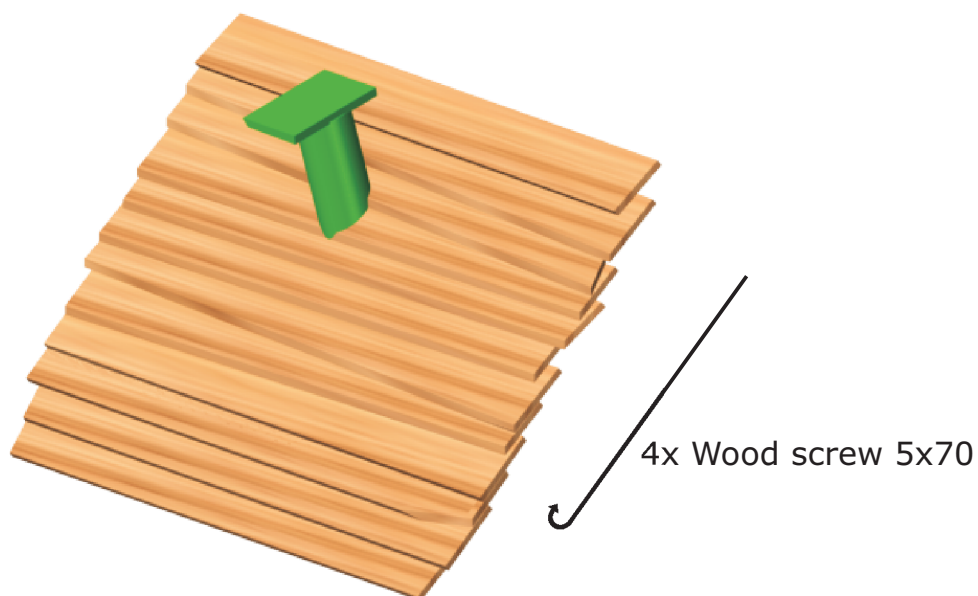
Step 7: Pour concrete in all holes.**Step 8: Connect all walls for the house on the ground.**

Step 9: Install corner decorations.**Step 10: Place the assembled house on the platform. Corner decorations need to fix with the short post below floor.**

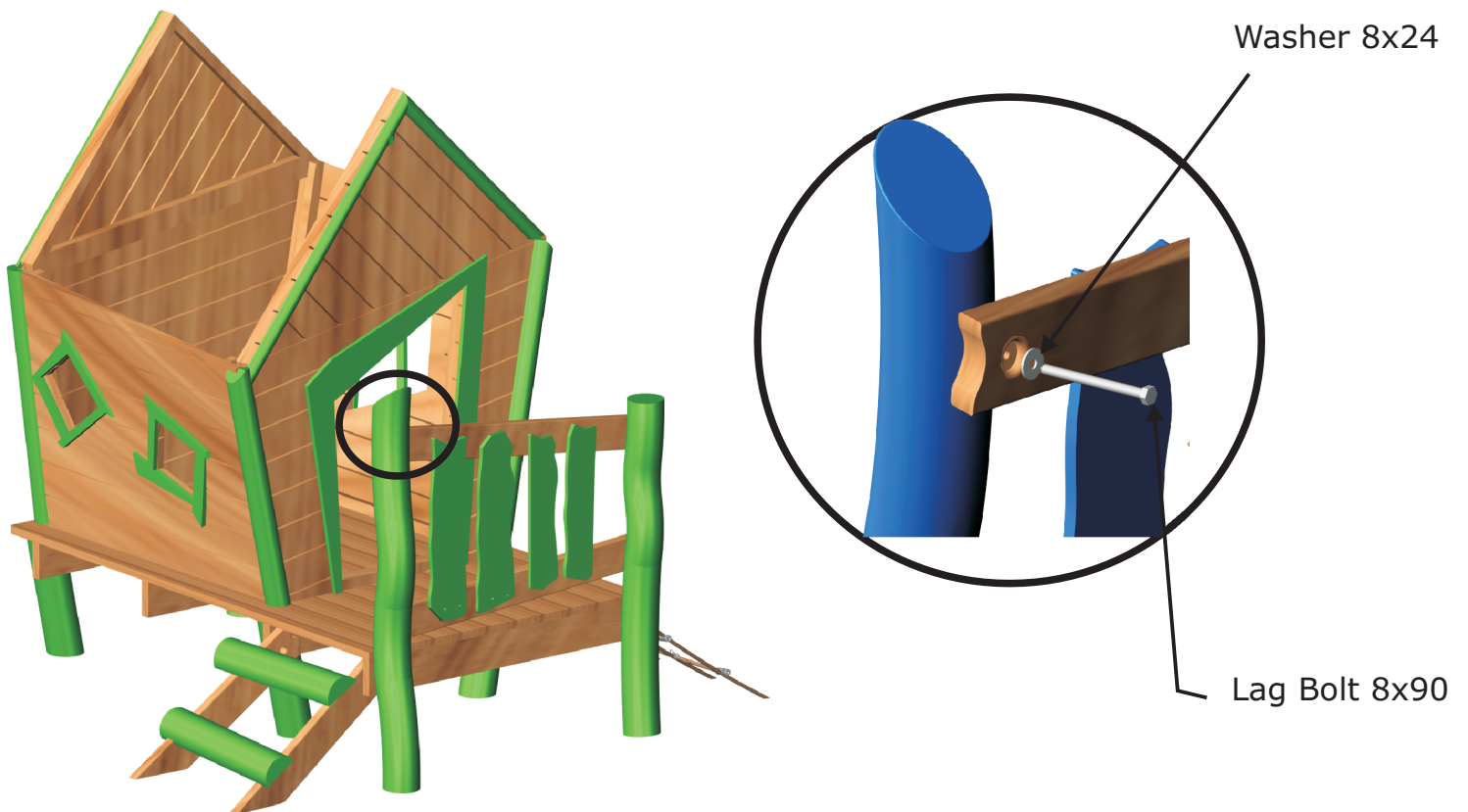
Step 11: Screw bottom boards of the walls with the floor.



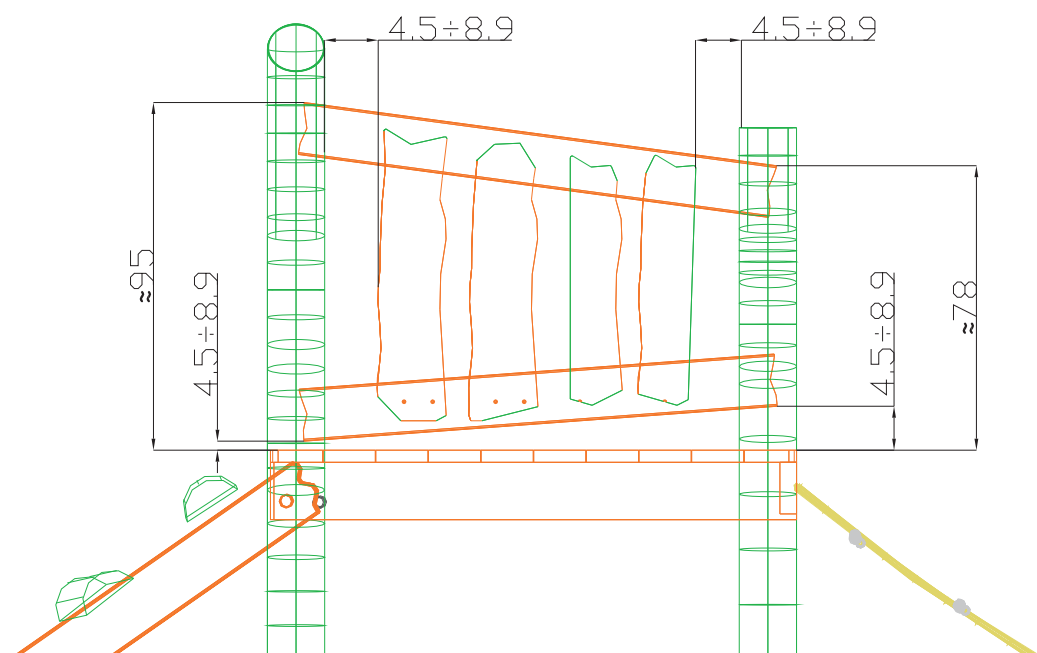
Step 12: Screw the chimney to one part of the roof, in the middle, approx. on the third board counting from top.



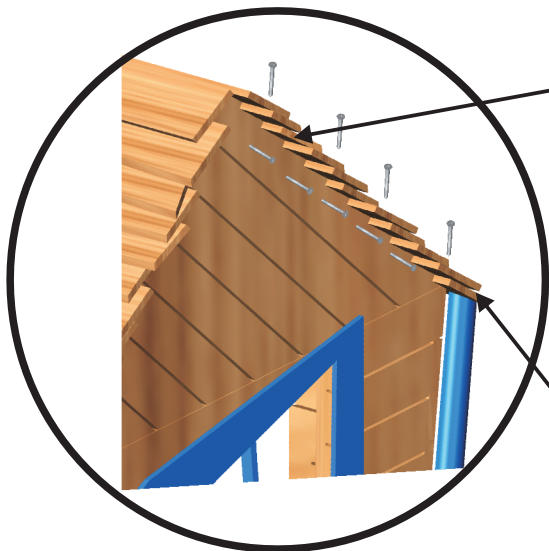
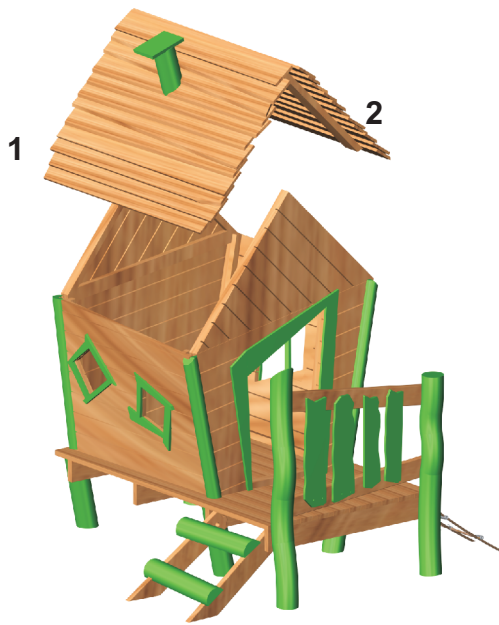
Step 13: Place the other railing on 95cm height from top of platforme to the top of the railing.



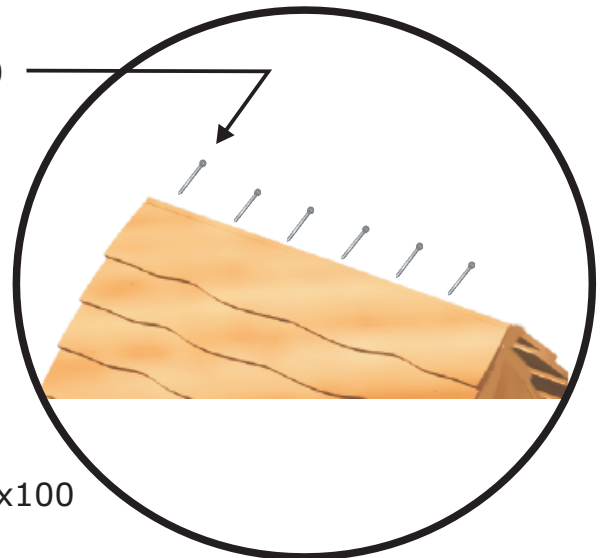
Step 14: Install barrier keeping all dimentions shown below.



Step 15: Install roof.

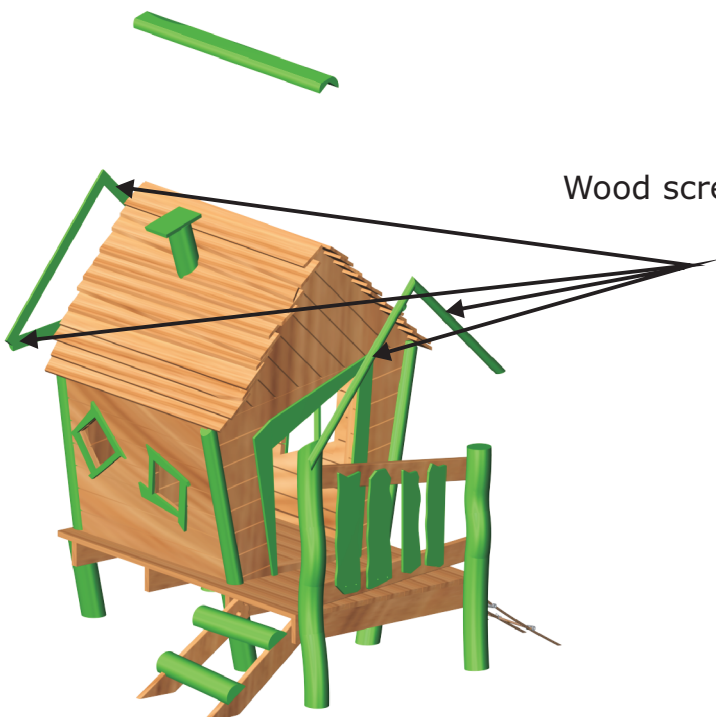


Wood screw 5x70



Wood screw 5x100

Step 16: Install other decoration on the walls and roof.



Wood screw 5x70



Wood screw 5x70

NOTICE: After roof and all decorations are installed , use foam to remove the gaps, cut the shape the remining foam, painted or impregnate.

