

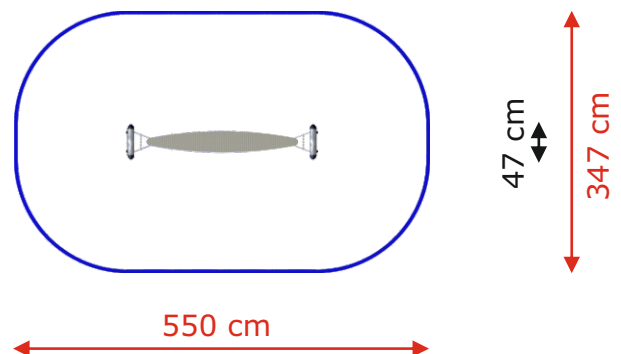
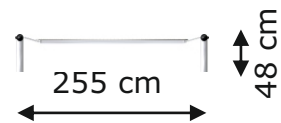
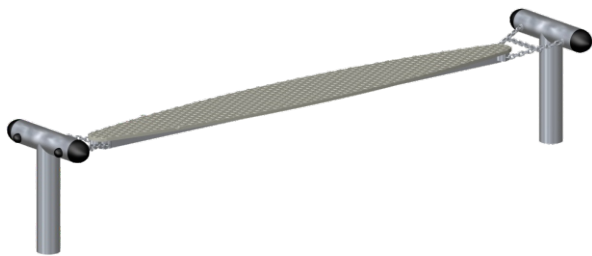
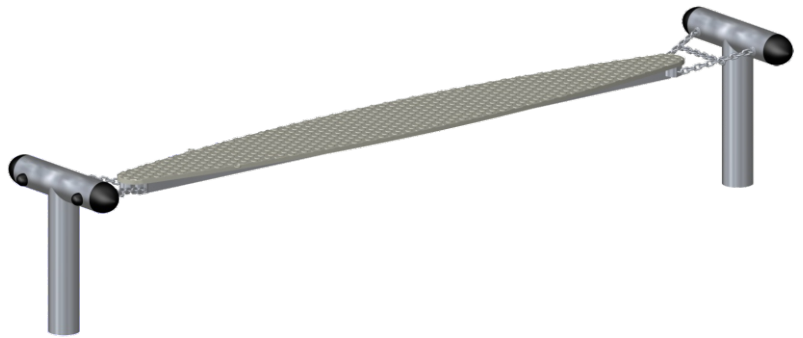
1

12172

LARS LAJ<sup>®</sup>

## WONDERLAND

Product name: Surf Board  
Catalogue number: 12172  
Dimensions: 255x47 cm  
Minimum space: 550x347 cm  
Total height: 48 cm  
Critical Falling Height: 48 cm  
Requires falling surface: NO  
Spare parts available: YES  
Acc. to EN 1176: YES  
Age level: 3+ years

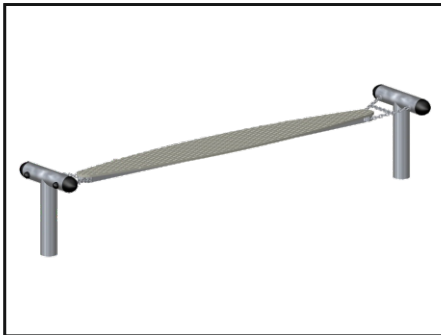


**PRODUCT DATA**

**Product name:** Surf board  
**Catalogue No.:** 12172  
**Product type:** WONDERLAND  
  
**Critical Falling Height:** 48 cm  
**Dimension:** 255x47 cm  
**Minimum space:** 550x347 cm  
**Age Level:** 3+ years

**COMPANY DATA**

**Name:** \_\_\_\_\_  
**Address:** \_\_\_\_\_  
**Zip code/city:** \_\_\_\_\_  
**Place:** \_\_\_\_\_  
**Phone:** \_\_\_\_\_  
**Fax:** \_\_\_\_\_  
**Email:** \_\_\_\_\_

**Product Photo/Picture****OWNERS DATA**

**Name:** \_\_\_\_\_  
**Contact:** \_\_\_\_\_  
**Address:** \_\_\_\_\_  
**Zip code/city:** \_\_\_\_\_  
**Place:** \_\_\_\_\_  
**Phone:** \_\_\_\_\_  
**Fax:** \_\_\_\_\_  
**Email:** \_\_\_\_\_

**AREA DATA**

**Placing:** \_\_\_\_\_  
**Address:** \_\_\_\_\_  
**Zip code/city:** \_\_\_\_\_  
**Place:** \_\_\_\_\_  
**Playground name:** \_\_\_\_\_  
**Product number:** \_\_\_\_\_

**ADMINISTRATOR DATA**

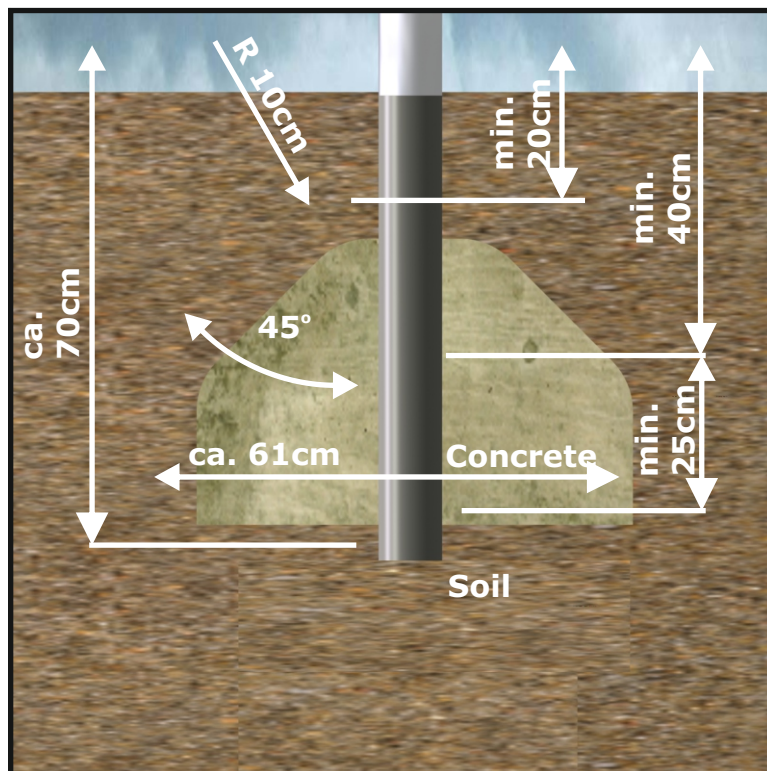
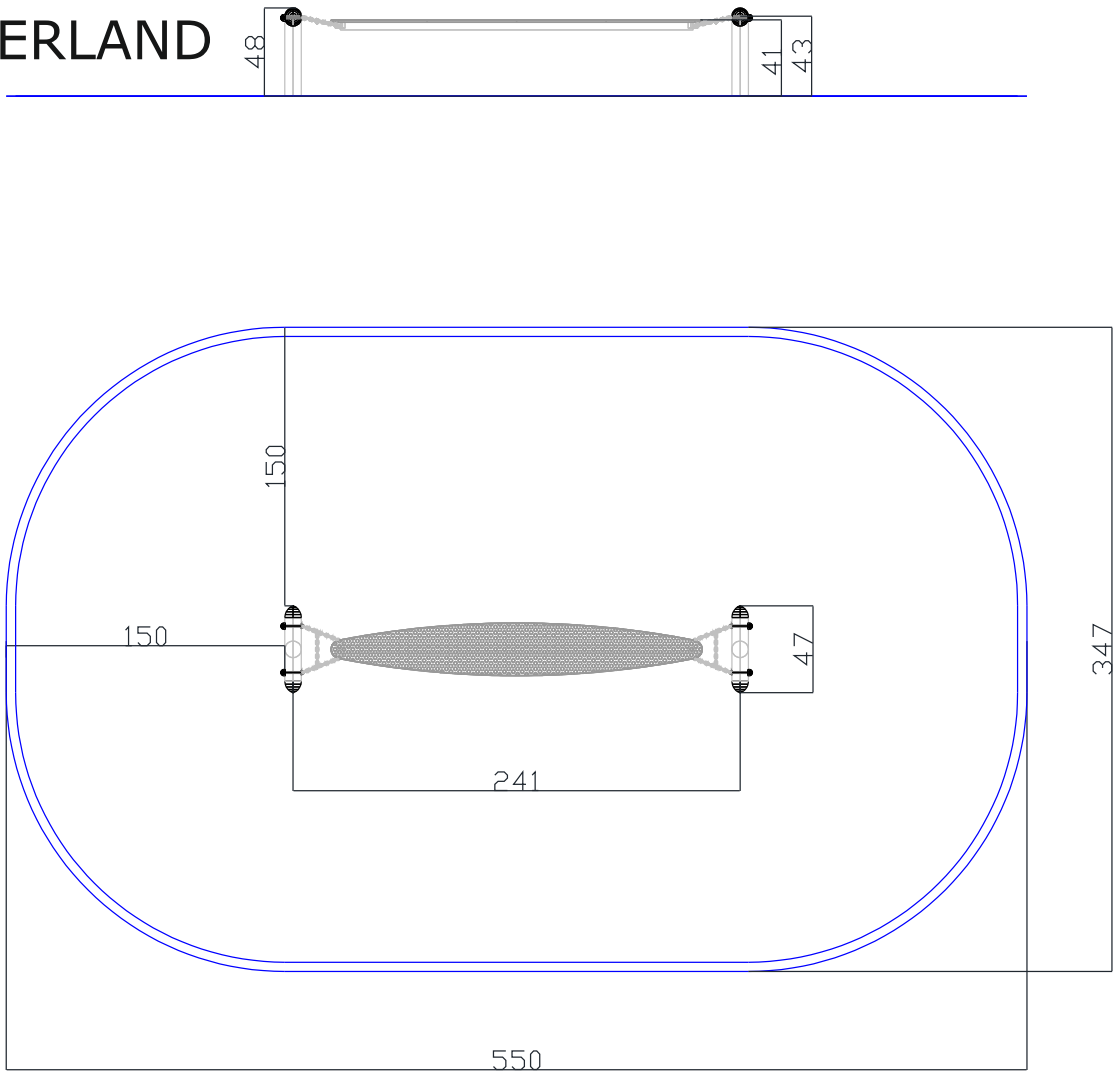
**Name:** \_\_\_\_\_  
**Contact:** \_\_\_\_\_  
**Address:** \_\_\_\_\_  
**Zip code/city:** \_\_\_\_\_  
**Phone:** \_\_\_\_\_  
**Fax:** \_\_\_\_\_  
**Email:** \_\_\_\_\_

**SURFACE**

**Material:** \_\_\_\_\_  
**Dimensions:** \_\_\_\_\_  
**Underground:** \_\_\_\_\_  
**Supplier:** \_\_\_\_\_

**Buying date:** \_\_\_\_\_  
**Installation:** \_\_\_\_\_  
**Guarantee:** \_\_\_\_\_

WONDERLAND



## WONDERLAND

