

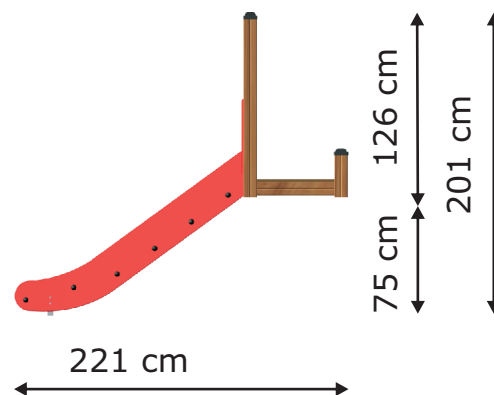
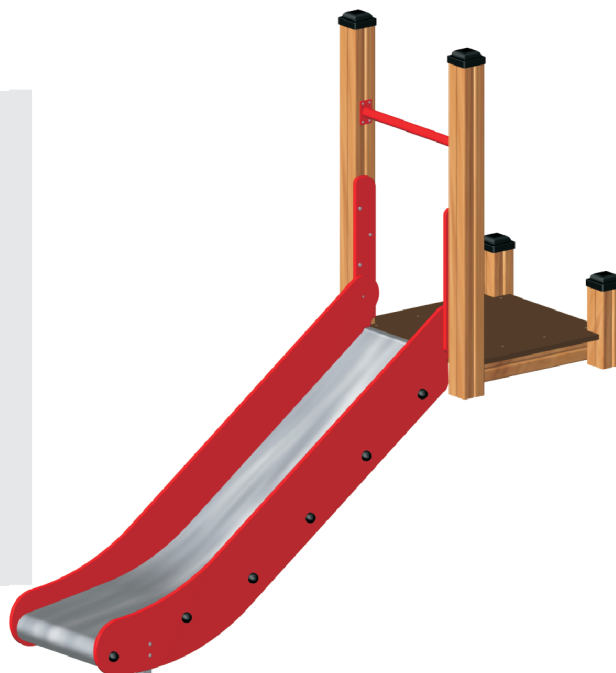
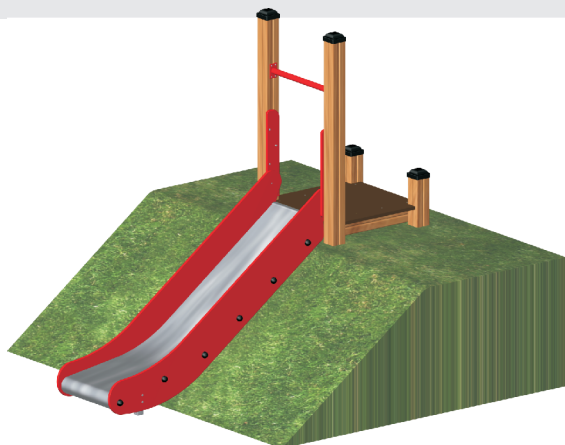
1

10809

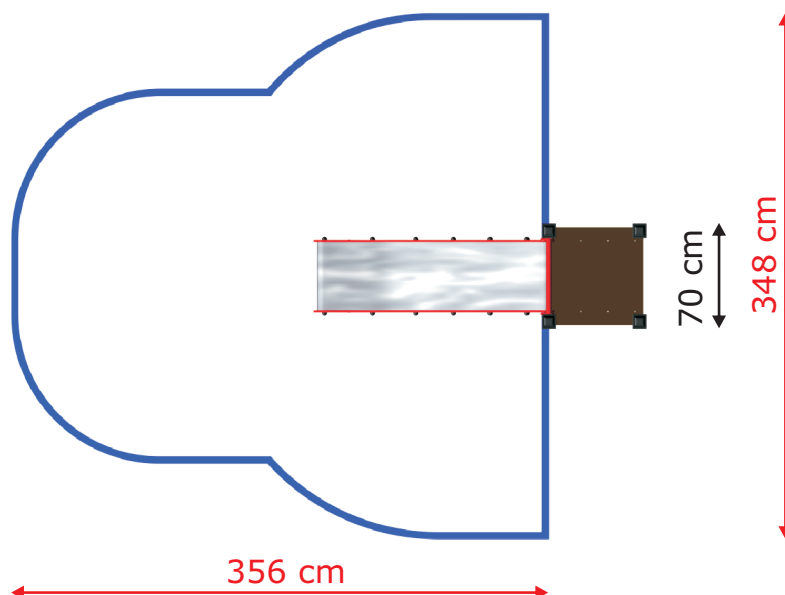
LARS LAJ®

PIONEER

Product name: Hill Slide SL090
Catalogue number: 10809
Dimensions: 221x70 cm
Total height: 201 cm
Safety zone: 356x348 cm
Platform height: 15 cm
Critical Falling Height: 15 cm
Requires falling surface: YES
Spare parts available: YES
Acc. to EN 1176: YES
Age level: 3+ years



The hill must reflect the shape of the slide.
The slide must be parallel to the hill:
it must either lay flat on the slope
or it can be elevated above the ground,
but the space between should be 30-40mm.
The space between the slide and the hill
must be the same through its full length.
It can not be narrowed downhill.



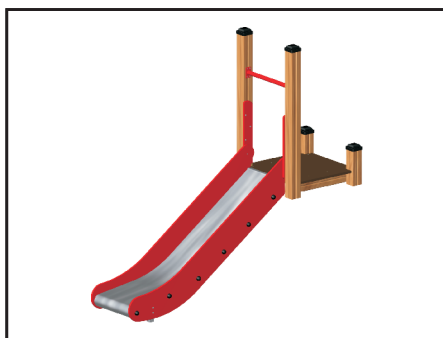
PRODUCT DATA

Product name: Hill Slide SL090
 Catalogue No.: 10809
 Product type: PIONEER

Critical Falling Height: 15 cm
 Dimensions: 221x70 cm
 Safety Zone: 356x348 cm
 Age Level: 3+ years

COMPANY DATA

Name: _____
 Address: _____
 Zip code/city: _____
 Place: _____
 Phone: _____
 Fax: _____
 Email: _____

Product Photo/Picture**OWNERS DATA**

Name: _____
 Contact: _____
 Address: _____
 Zip code/city: _____
 Place: _____
 Phone: _____
 Fax: _____
 Email: _____

AREA DATA

Placing: _____
 Address: _____
 Zip code/city: _____
 Place: _____
 Playground name: _____
 Product number: _____

ADMINISTRATOR DATA

Name: _____
 Contact: _____
 Address: _____
 Zip code/city: _____
 Phone: _____
 Fax: _____
 Email: _____

SURFACE

Material: _____
 Dimensions: _____
 Underground: _____
 Supplier: _____

Buying date: _____
 Installation: _____
 Guarantee: _____

PIONEER

The hill must reflect the shape of the slide. The slide must be parallel to the hill: it must either lay flat on the slope or it can be elevated above the ground, but the space between should be 30-40mm. The space between the slide and the hill must be the same through its full length. **It can not be narrowed downhill.**

